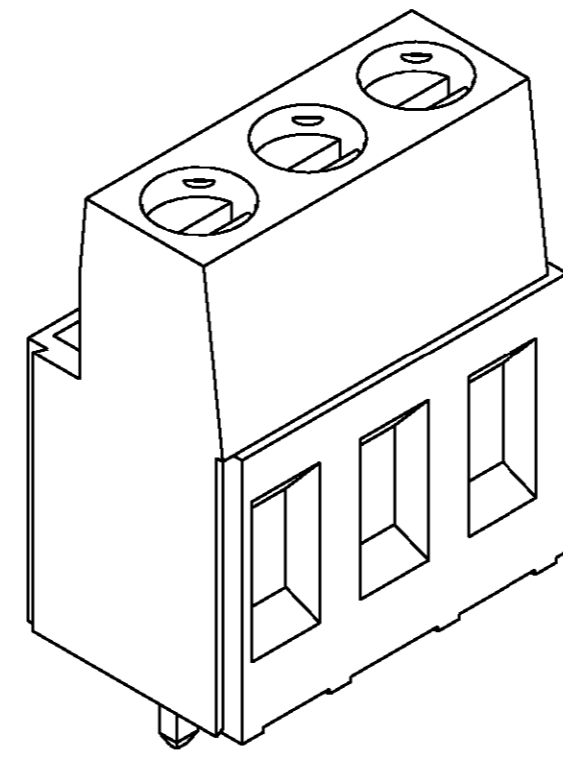
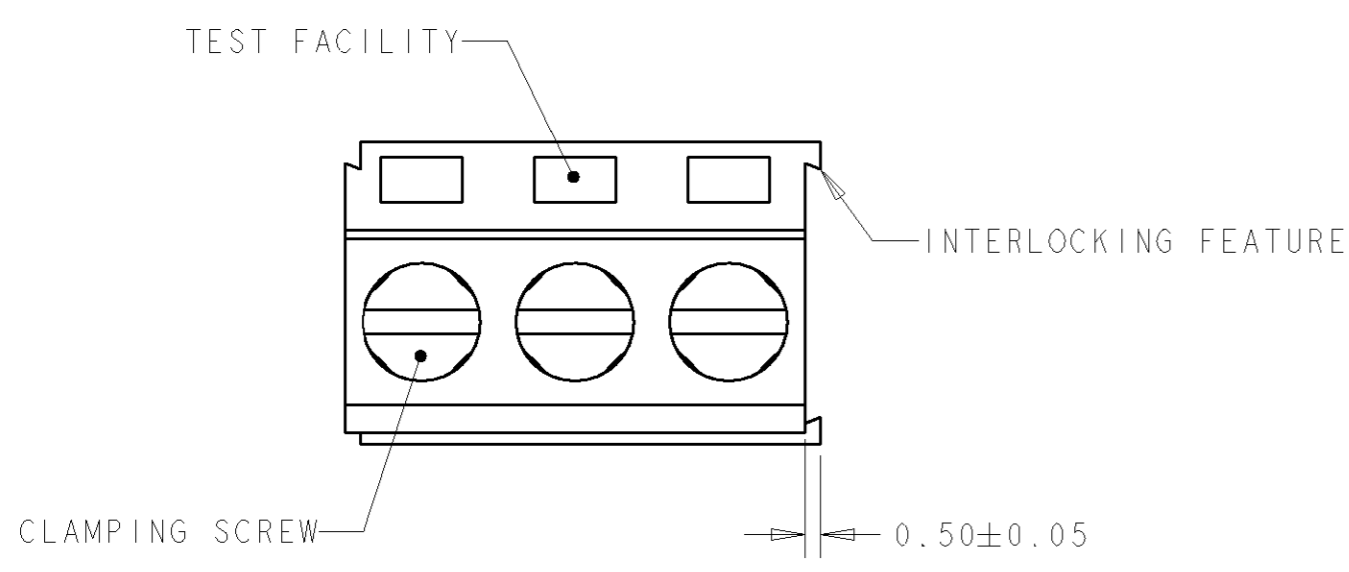
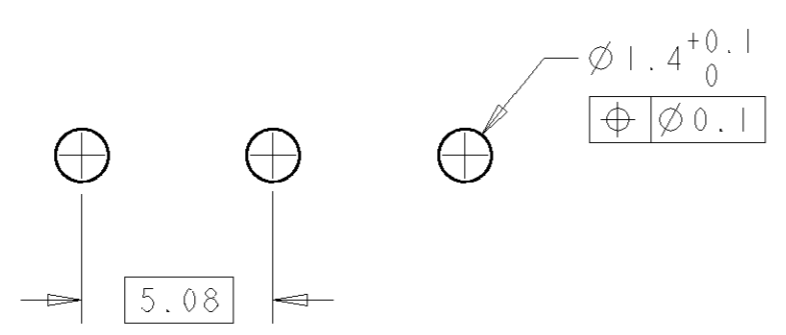
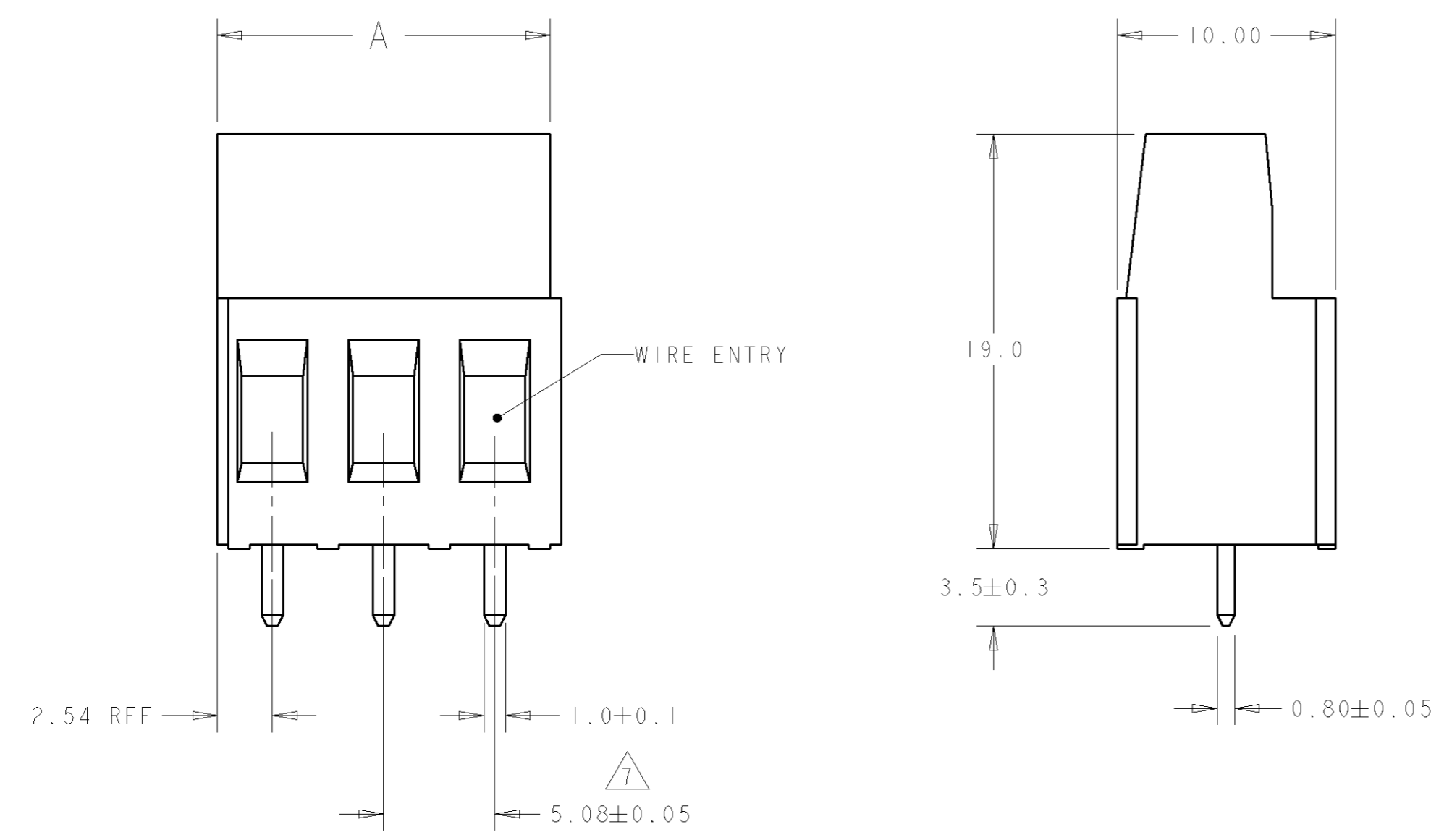


THIS DRAWING IS UNPUBLISHED. RELEASED FOR PUBLICATION 20  
 © COPYRIGHT 20 BY TYCO ELECTRONICS CORPORATION. ALL RIGHTS RESERVED.

LOC	DIST	REVISIONS					
FT	0	P	LTR	DESCRIPTION	DATE	DWN	APVD
		F		REVISED EC 0G3B-0545-03	24SEP2003	SW	CR



282857-3 AS SHOWN



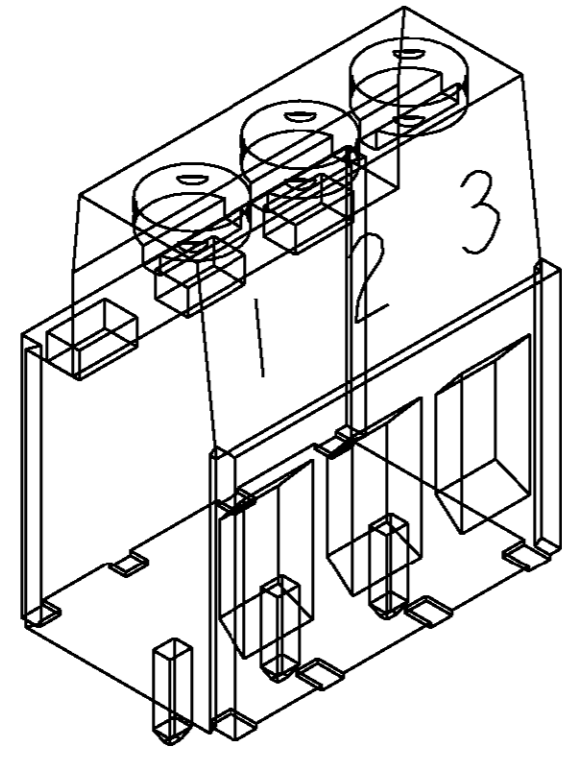
RECOMMENDED PC BOARD LAYOUT  
SCALE 5:1

SEE DETAIL L	15.24	3	2-282857-6
-	127.00	25	2-282857-5
-	121.92	24	2-282857-4
-	116.84	23	2-282857-3
-	111.76	22	2-282857-2
-	106.68	21	2-282857-1
-	101.60	20	2-282857-0
-	96.52	19	1-282857-9
-	91.44	18	1-282857-8
-	86.36	17	1-282857-7
-	81.28	16	1-282857-6
-	76.20	15	1-282857-5
-	71.12	14	1-282857-4
-	66.04	13	1-282857-3
-	60.96	12	1-282857-2
-	55.88	11	1-282857-1
-	50.80	10	1-282857-0
-	45.72	9	282857-9
-	40.64	8	282857-8
-	35.56	7	282857-7
-	30.48	6	282857-6
-	25.40	5	282857-5
-	20.32	4	282857-4
-	15.24	3	282857-3
-	10.16	2	282857-2
MARKING	A	POSN	PART NUMBER

THIS DRAWING IS A CONTROLLED DOCUMENT FOR TYCO ELECTRONICS CORPORATION IT IS SUBJECT TO CHANGE AND THE CONTROLLING ENGINEERING ORGANIZATION SHOULD BE CONTACTED FOR THE LATEST REVISION.		DWN S. WELDON 24SEP2003 CHK C. RICHARD 24SEP2003 APVD C. RICHARD 24SEP2003	<b>BUCHANAN</b> Tyco Electronics Harrisburg, PA 17105-3608
DIMENSIONS: mm	TOLERANCES UNLESS OTHERWISE SPECIFIED: 0 PLC ±0 1 PLC ±.2 2 PLC ±.25 3 PLC ±0 4 PLC ±0 ANGLES ±2° FINISH	PRODUCT SPEC - APPLICATION SPEC - WEIGHT -	NAME <b>TERMINAL BLOCK, PCB MOUNT,          SIDE WIRE ENTRY, STACKING          W/INTERLOCK, 5.08mm PITCH</b>
MATERIAL 	FINISH 	SIZE A2 CAGE CODE 00779 DRAWING NO. 282857	RESTRICTED TO - SCALE 4:1 SHEET 1 OF 2 REV F
CUSTOMER DRAWING			

THIS DRAWING IS UNPUBLISHED. RELEASED FOR PUBLICATION 20  
 © COPYRIGHT 20 BY TYCO ELECTRONICS CORPORATION. ALL RIGHTS RESERVED.

LOC	DIST	REVISIONS					
FT	0	P	LTR	DESCRIPTION	DATE	DWN	APVD
		-		SEE SHEET 1	-	-	-



8 9  
 DETAIL L

- 1 MATERIALS AND FINISH:  
 HOUSING: PA 6-6, UL 94-V0, COLOR:GREEN.  
 CLAMP: BRASS, NICKEL PLATED.  
 TERMINAL: BRASS, TIN PLATED.  
 CLAMPING SCREW: M3, BRASS, NICKEL PLATED.
- 2. SUITABLE FOR 1,6-2,4mm. PCB THICKNESS.
- 3. END-TO-END STACKABLE W/INTERLOCK WITHOUT LOSS OF CENTERLINE SPACING.
- 4. WIRE SIZE RANGE  
 SOLID WIRE: 0.03-4mm<sup>2</sup> (11 AWG)  
 STRANDED WIRE: 0.03-2.5mm<sup>2</sup> (13 AWG)
- 5. RECOGNIZED UNDER THE COMPONENT PROGRAM OF UNDERWRITERS LABORATORIES INC. FILE No E60677.
- 6. IMQ CERTIFICATE WITH SURVEILLANCE IN CONFORMITY WITH IEC 998-1/998-2-1.
- 7 NOT CUMULATIVE TOLERANCE.
- 8 NUMERICAL SEQUENCE: FROM LEFT TO RIGHT, WIRE ENTRY SIDE.
- 9 INK MARKING: WHITE COLOR.

THIS DRAWING IS A CONTROLLED DOCUMENT FOR TYCO ELECTRONICS CORPORATION IT IS SUBJECT TO CHANGE AND THE CONTROLLING ENGINEERING ORGANIZATION SHOULD BE CONTACTED FOR THE LATEST REVISION.		DWN S. WELDON 24SEP2003	Tyco Electronics Harrisburg, PA 17105-3608	
DIMENSIONS: mm		CHK C. RICHARD 24SEP2003	NAME TERMINAL BLOCK, PCB MOUNT, SIDE WIRE ENTRY, STACKING W/INTERLOCK, 5.08mm PITCH	
TOLERANCES UNLESS OTHERWISE SPECIFIED: 0 PLC ±0 1 PLC ±.2 2 PLC ±.25 3 PLC ±0 4 PLC ±0 ANGLES ±2° FINISH -		APVD C. RICHARD 24SEP2003		
MATERIAL	-	PRODUCT SPEC -	SIZE A2	CAGE CODE 00779
		APPLICATION SPEC -	DRAWING NO G-282857	RESTRICTED TO -
		WEIGHT -	SCALE 4:1 SHEET 2 OF 2 REV F	
		CUSTOMER DRAWING		